

SFP2TS001, SFP Cage, THT, Right Angle

Features

Mechanical properties

Parameter:	Description
Operating Temperature:	-40°C~+85°C
Storage Temperature:	-55°C~+105°C
Dimensions:	15.9 x 48.8 x 9.5 mm ± 0.1
Mounting:	THT
Cage:	Copper Alloy, Ni Plated



Description

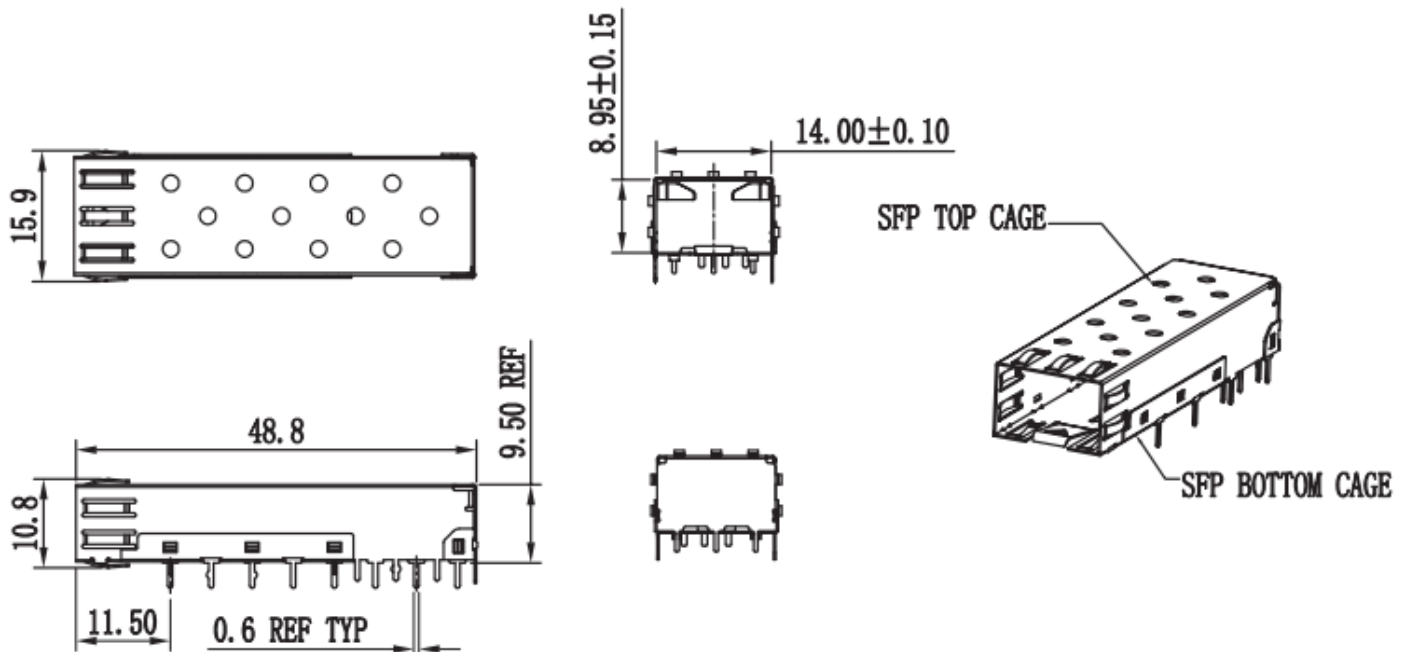
The SFP2TS001 is a cage for optical transceiver connectors in THT package. The cage matches with the SFP1S001 connector.

Typical applications

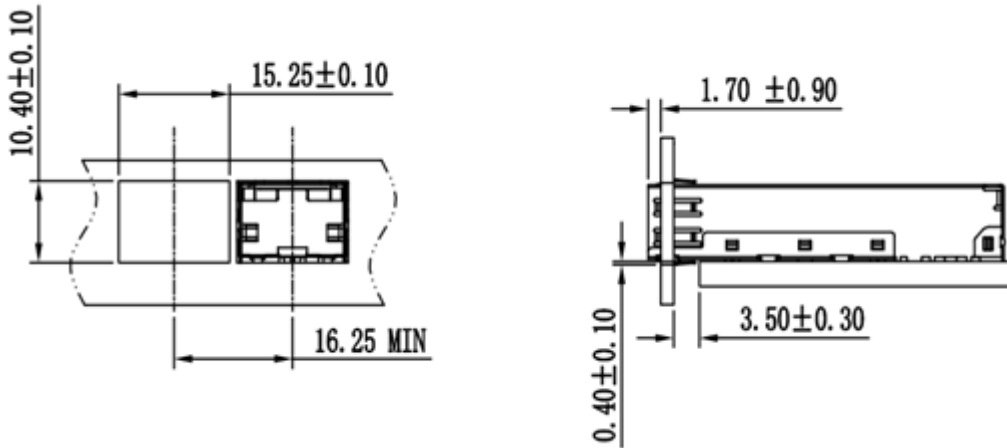
- Optical transceiver

Dimensions

*unit: mm

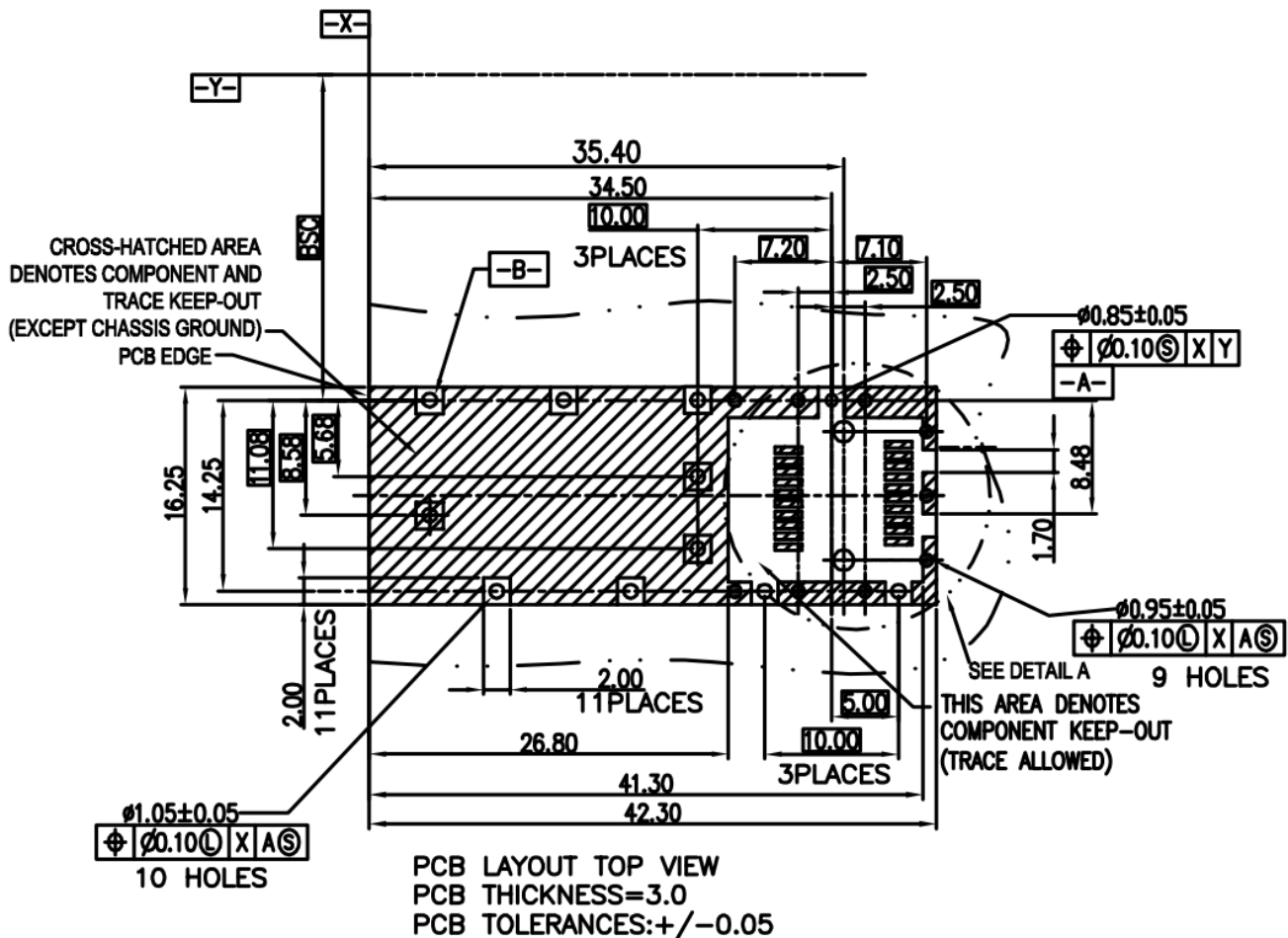


SFP2TS001, SFP Cage, THT, Right Angle

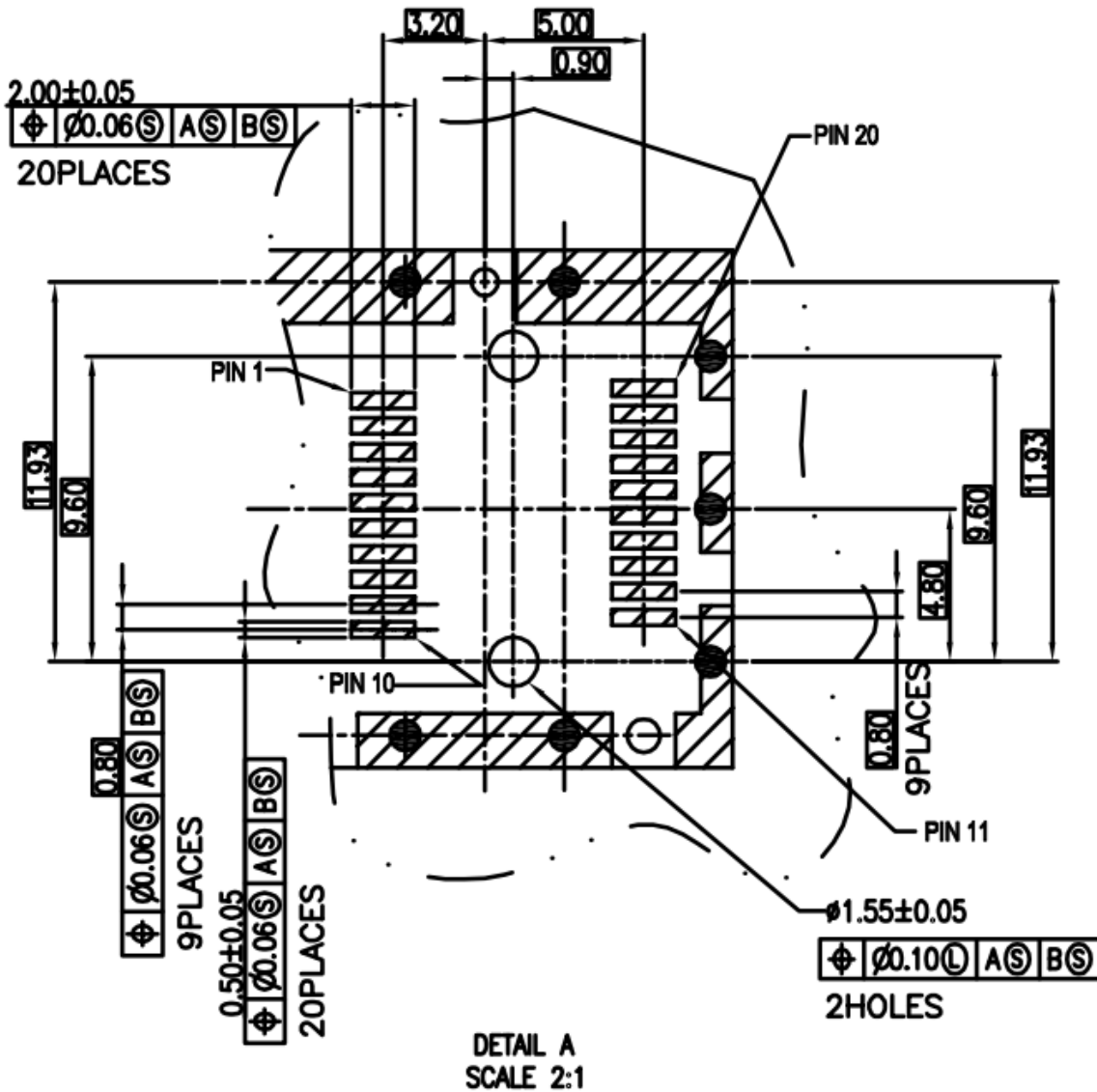


PCB Footprint

*unit: mm



SFP2TS001, SFP Cage, THT, Right Angle



Ordering information

Ordering can be done via www.summit-electronics.com or via info@summit-electronics.com. Please contact us for more information. Customization of the product is available on request.

Technical support

For all product questions please contact us via info@summit-electronics.com